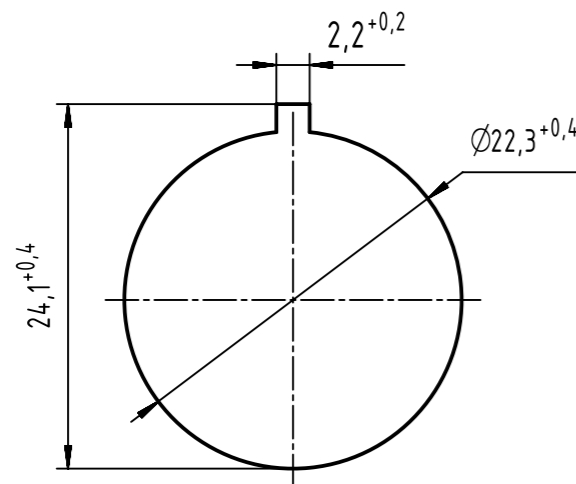
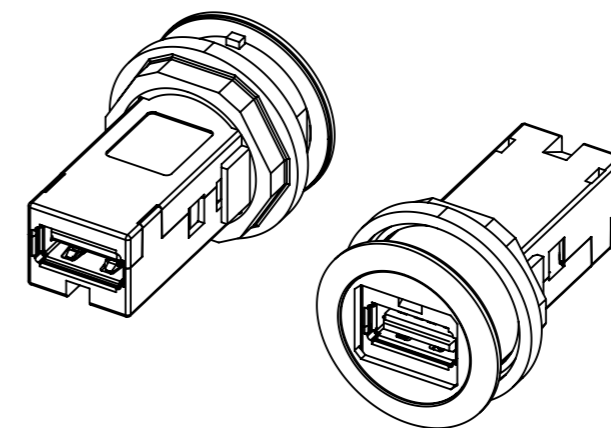


PANEL CUT DIMENSIONS



loading-plan

V Bus	1	1
D-	2	2
D+	3	3
GND	4	4
StdA_SSRX-	5	5
StdA_SSRX+	6	6
GND_DRAIN	7	7
StdA_SSTX-	8	8
StdA_SSTX+	9	9
Shield	Shell	Shell



	All rights reserved Department EL PD HARTING Electronics GmbH D-32339 Espelkamp	All Dimensions in mm Original Size DIN A3		Scale 2:1	Free size tol.	Ref. Sub.
		Created by BALSAN	Inspected by PRIESTER	Standardisation HOFFMANN	Date 2019-04-25	State Final Release
Title har-port USB 3.0 A-A PFT white					Doc-Key / ECM-Nr. 100775641/UGD/008/C 500000150766	
Type TB				Number 09454521919		Rev. C
						Page 1/1